



ERM-DAU-277 & ERM-DAU-LV Active Circuit Transmitter

Overview

The Active Circuit Transmitter (ACT) option allows a remote circuit to influence the function of the CERV, much like the hardwired Auxiliary Input(s). The ACT can be installed along with a load, such as a light switch or kitchen vent hood, or even used with a separate system such as a fan interlock or system shutoff. Once the ACT is installed, powered, and paired with the CERV, its functionality can be programmed.

When the circuit is “active”, the ACT will periodically send a signal to the CERV indicating that the circuit is on. In most cases, this will cause the CERV to suspend its current activity based on internal sensors, and instead enter the mode specified by the device’s configuration. After installation, ensure that the ACT is unpowered (as evident by LEDs) when the load is off.

Recommended Installation: to minimize signal interference, these should be installed in nonmetallic junction boxes.

Specifications

	ERM-DAU-277	ERM-DAU-LV
Power Supply	120-277 VAC	24V AC/DC
Power Consumption	1.0 W	0.6 W

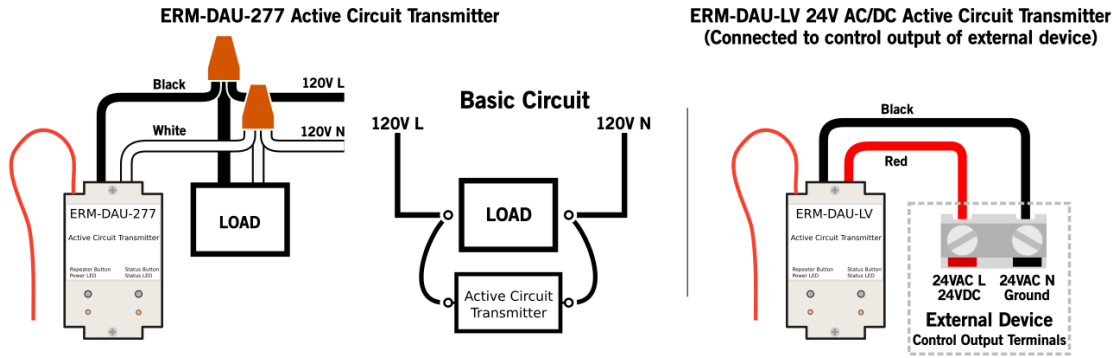
Radio Frequency	902MHz
Transmission Range	24m (80ft) indoor typical, 100m (330ft) line of sight

Weight	56.7g (2oz)
Dimensions	56 x 38 x 26 mm (2.2 x 1.5 x 1.0 in)

Agency Listing and Compliance	
FCC Part 15.231 - Remote Control Transmitter IC RSS-210	
ERM-DAU-277 Safety: ETL Listed, Component Conforms to UL Standard 508, Certified to CAN/CSA Std. C22.2 No.14	

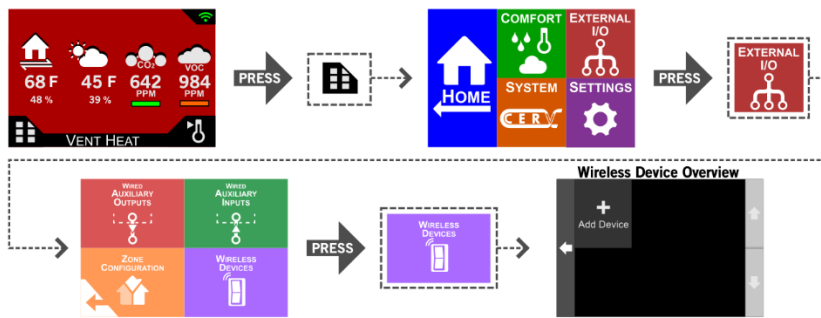


Electrical Wiring

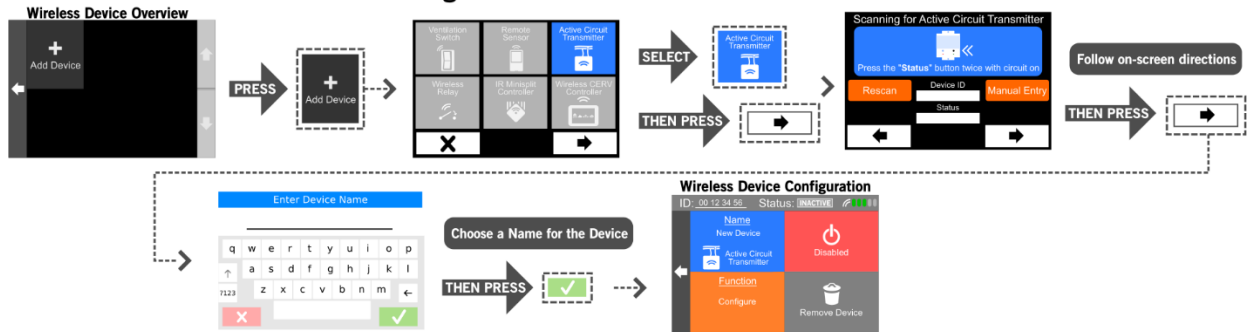


CERV2 Setup

Wireless Device Setup



Adding A New Active Circuit Transmitter



Available Active Circuit Transmitter Functions



Example: Configure Active Circuit Transmitter to Ventilate

